



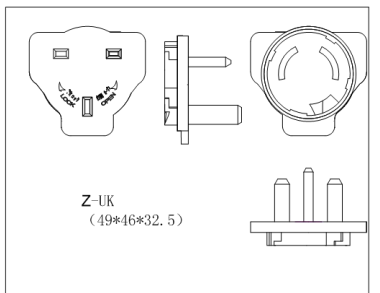
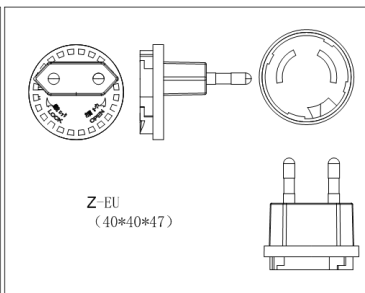
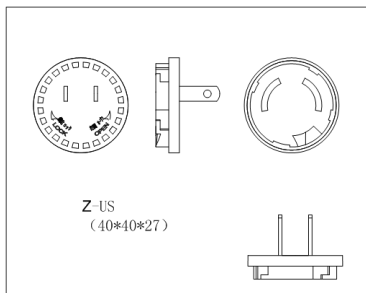
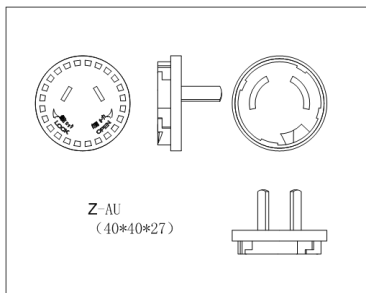
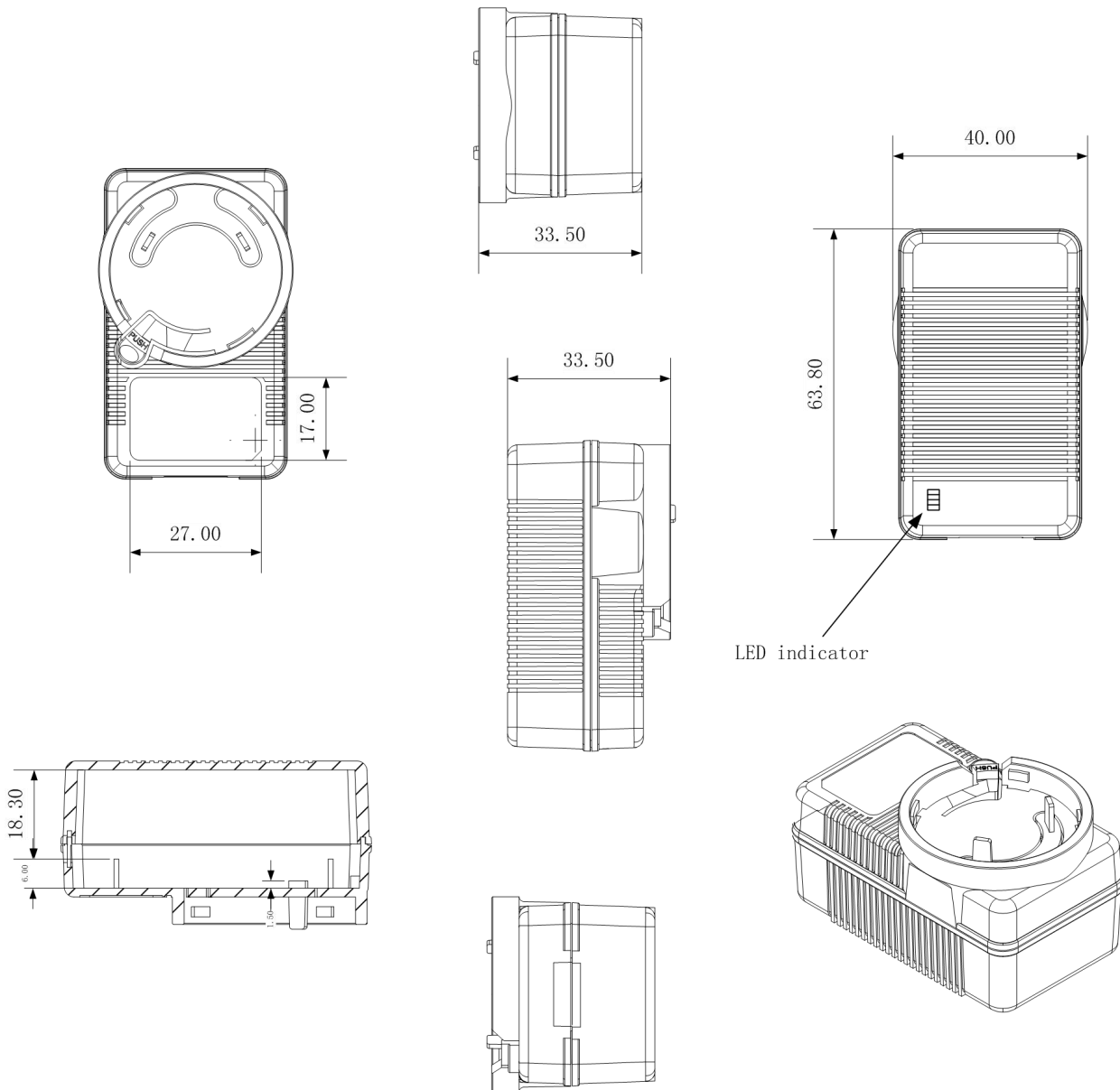
## Feature:

- \* Designed in USA, Made in China
- \* Global Certificates.
- \* Case Material: PC, GE brand
- \* Fanless Design.
- \* Fully sealed by ultrasonic welding.
- \* Capacitor imported from Taiwan.
- \* Support Interchangeable AC plug, EU, UK, US, AU, KR, JP, and CN Optional.
- \* Protection: Over Load/Over Voltage/Over Current/Over Temp/Short-Circuit.
- \* LED indicator show work status
- \* Meet Energy Efficiency VI, Comply with CEC VI, DOE VI.
- \* Comply With The Newest Safety Standard: UL62368, EN62368, IEC62368, IEC60950, IEC61558, and IEC60335.
- \* Brand Power Cord and DC Wire matched our products.
- \* Support customized Label and DC connector.

## Electric Parameter:

DC Output	Output Voltage	<b>5V</b>	<b>6V</b>	<b>9V</b>	<b>10V</b>	<b>12V</b>	<b>15V</b>	<b>18V</b>	<b>20V</b>	<b>24V</b>
	Voltage Tolerance	±5%	±5%	±5%	±5%	±5%	±5%	±5%	±4%	±4%
	Rated Current	<b>1.2A</b>	<b>1A</b>	<b>0.65A</b>	<b>.0.6A</b>	<b>0.5A</b>	<b>0.4A</b>	<b>0.3A</b>	<b>0.3A</b>	<b>0.25A</b>
	Output Current	0-1.2A	0-1A	0-0.65A	0-0.6A	0-0.5A	0-0.4A	0-0.3A	0-0.3A	0-0.25A
	Ripple and Noise:	<90mVp-p	<90mVp-p	<90mVp-p	<90mVp-p	<100mVp-p	<100mVp-p	<100mVp-p	<100mVp-p	<100mVp-p
	LED Indicator	W or W/O								
AC Plug	Interchangeable Plug	US,EU,UK,AU,KR,CN,JP etc								
AC Input	Input Voltage Range	90 ~ 264Vac								
	Rated Input Voltage:	100-240Vac								
	Frequency Range:	47 ~ 62hz								
	Input Current Max:	0.6A								
	Inrush Current:	35A Max/240V								
	Efficiency:	82%	83%	84%	84%	85%	86%	86%	87%	88%
	No load Input Power	≤0.1W								
	Leakage Current:	<0.25mA/240V								
Protection	Over Load	When output power between 110%-135% of rated output power, turns to Hiccup mode.								
	Over Voltage	When output voltage between 110%-135% of rated output voltage, turns to Hiccup mode.								
	Over Current	Hiccup mode, recovers automatically after fault condition is removed								
	Short Circuit	Hiccup mode, recovers automatically after fault condition is removed								
Environment	Operating Temp:	0°C ~ +45°C								
	Storage Temp:	-30°C ~ +70°C								
	Relative Humidity:	10% ~ 90%								
	Vibration and Shock	Meet MIL-STD-810D								
Safety	Safety Standard	IEC62368,IEC60065,IEC60950,IEC61558,IEC60335								
	EMC/EMI	Meet FCC CLASS B,EN55022 CLASS B.								
	EMS	EN61000—4—2/3/4/5								
	Drop Testing	3 drops from 1 m height on a hard wooden surface								
Life Time	MTBF	50000 Hours								
	Warranty	3 years								
Dimension	L63.9*W37.7*H27.9mm									
Drawing	Please See next page									
Packing	100pcs/CTN, CTN size:L46*W29.5*H33CM									
Color	Black or White									

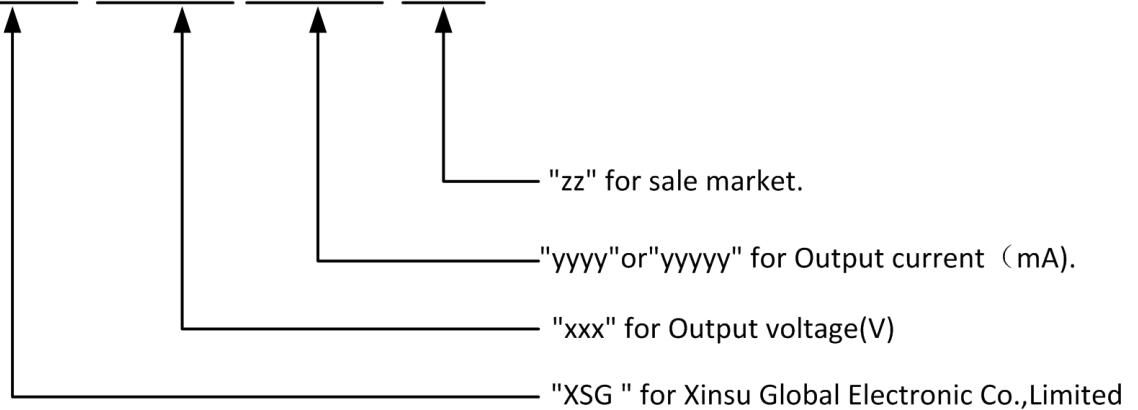
# Drawing (mm): Interchangeable plug type



## Model List:

### Model Name instruction:

E.G.: XSG xxx yyyy zz



Model No	AC Input	Power Rate	Output Voltage(V)	Output Current(mA)
XSG0300300	100~240	0.9	3	300
XSG0300400	100~240	1.2	3	400
XSG0300500	100~240	1.5	3	500
XSG0300600	100~240	1.8	3	600
XSG0300700	100~240	2.1	3	700
XSG0300800	100~240	2.4	3	800
XSG0300900	100~240	2.7	3	900
XSG0301000	100~240	3.0	3	1000
XSG0301500	100~240	4.5	3	1500
XSG0360300	100~240	1.1	3.6	300
XSG0360400	100~240	1.4	3.6	400
XSG0360500	100~240	1.8	3.6	500
XSG0360600	100~240	2.2	3.6	600
XSG0360700	100~240	2.5	3.6	700
XSG0360800	100~240	2.9	3.6	800
XSG0360900	100~240	3.2	3.6	900
XSG0361000	100~240	3.6	3.6	1000
XSG0361500	100~240	5.4	3.6	1500
XSG0420300	100~240	1.3	4.2	300
XSG0420400	100~240	1.7	4.2	400

XSG0420500	100~240	2.1	4.2	500
XSG0420600	100~240	2.5	4.2	600
XSG0420700	100~240	2.9	4.2	700
XSG0420800	100~240	3.4	4.2	800
XSG0420900	100~240	3.8	4.2	900
XSG0421000	100~240	4.2	4.2	1000
XSG0500300	100~240	1.5	5	300
XSG0500400	100~240	2.0	5	400
XSG0500500	100~240	2.5	5	500
XSG0500600	100~240	3.0	5	600
XSG0500700	100~240	3.5	5	700
XSG0500800	100~240	4.0	5	800
XSG0500900	100~240	4.5	5	900
XSG0501000	100~240	5.0	5	1000
XSG0600300	100~240	1.8	6	300
XSG0600400	100~240	2.4	6	400
XSG0600500	100~240	3.0	6	500
XSG0600600	100~240	3.6	6	600
XSG0600700	100~240	4.2	6	700
XSG0600800	100~240	4.8	6	800
XSG0600900	100~240	5.4	6	900
XSG0601000	100~240	6.0	6	1000
XSG0720300	100~240	2.2	7.2	300
XSG0720400	100~240	2.9	7.2	400
XSG0720500	100~240	3.6	7.2	500
XSG0720600	100~240	4.3	7.2	600
XSG0720700	100~240	5.0	7.2	700
XSG0720800	100~240	5.8	7.2	800
XSG0900300	100~240	2.7	9	300
XSG0900400	100~240	3.6	9	400
XSG0900500	100~240	4.5	9	500
XSG0900600	100~240	5.4	9	600
XSG0900700	100~240	6.3	9	700
XSG1000300	100~240	3.0	10	300
XSG1000400	100~240	4.0	10	400
XSG1000500	100~240	5.0	10	500
XSG1000600	100~240	6.0	10	600
XSG1200300	100~240	3.6	12	300
XSG1200400	100~240	4.8	12	400

XSG1200500	100~240	6.0	12	500
XSG1300300	100~240	3.9	13	300
XSG1300400	100~240	5.2	13	400
XSG1300500	100~240	6.5	13	500
XSG1350300	100~240	4.1	13.5	300
XSG1350400	100~240	5.4	13.5	400
XSG1350500	100~240	6.8	13.5	500
XSG1400300	100~240	4.2	14	300
XSG1400400	100~240	5.6	14	400
XSG1500300	100~240	4.5	15	300
XSG1500400	100~240	6.0	15	400
XSG1600300	100~240	4.8	16	300
XSG1600400	100~240	6.4	16	400
XSG1700300	100~240	5.1	17	300
XSG1800300	100~240	5.4	18	300
XSG1830300	100~240	5.5	18.3	300
XSG1900300	100~240	5.7	19	300
XSG1950300	100~240	5.9	19.5	300
XSG2000300	100~240	6.0	20	300
XSG2100300	100~240	6.3	21	300
XSG2200300	100~240	6.6	22	300
XSG2250300	100~240	6.8	22.5	300
XSG2400300	100~240	7.2	24	300